

Valve
Actuation

Steam

Instruments

Hot Water

Industrial
PVF



**YOUR MOST
VALUABLE PARTNER**

**FOR JFLOW
VALVES**

PipeValvesTM

Since 1963

www.PipeValves.com
800.467.7122

Warning: Do not use this literature in place of reading, understanding, and following the manufacturer's spec sheets and operator's manual instructions which are available on their website.



Series 2000

Globe Single Seated Top Guide Valve

Features and Benefits:

- Body Material: A216, WCB, 304, 316, Alloys
- Trim Material: 304, 316, Alloys
- Cv Ratio: 50:1
- End Connections: Flanged, BW, SW, ANSI 150-1500
- Temperature: -22°F to +1049°F
- Seat Materials: Soft, Metal

Size:

- Ranges from 3/4" to 10"

Description:

Promotes tightness and heavy duty control.

Options:

- Flow Characteristics: Linear, Equal Percentage & Modified Percentage
- MTRs available

PipeValves™

Since 1963



Series 3500

Globe 3-Way Mixing & Diverting Valve

Features and Benefits:

- Body Material: A216, WCB, 304, 316, Alloys
- Trim Material: 304, 316, Alloys
- Cv Ratio: 50:1
- End Connections: Flanged, BW, SW, ANSI 150-600
- Temperature: -22°F to +1049°F
- Seat Materials: Soft, Metal

Size:

- Ranges from 1" to 12"

Applications/Service:

- A wide range of process applications.
- Diverting, mixing, and combining in a variety of steam, liquid, and gases.

Options:

- Single seated top guide & bolted bonnet
- Flow Characteristics: Linear, Equal Percentage & Modified Percentage
- MTRs available

800.467.7122

PipeValves

www.PipeValves.com

Warning: Do not use this literature in place of reading, understanding, and following the manufacturer's spec sheets and operator's manual instructions which are available on their website.

PipeValves™

Since 1963



Series 4000

Globe Heavy Duty Cage Balanced Valve

Features and Benefits:

- Body Material: A216, WCB, 304, 316, Alloys
- Trim Material: 304, 316, Alloys
- Cv Ratio: 30:1 (Tendril); 50:1 (Reduced Cage); 100:1 (Full Cage)
- End Connections: Flanged, BW, SW, ANSI 150-2500
- Temperature: -22°F to +1049°F
- Diaphragm actuators enclosed, heavy duty cylinders

Size:

- Ranges from 1/2" to 24"

Applications/Service:

- High pressure drop compressible and un-compressible fluids.
- Critical service process control requirements.

Options:

- Low noise & anti-cavitation trims
- Flow Characteristics: Linear, Equal Percentage & Semi-throttled
- MTRs available

800.467.7122

PipeValves

www.PipeValves.com

Warning: Do not use this literature in place of reading, understanding, and following the manufacturer's spec sheets and operator's manual instructions which are available on their website.

PipeValves™

Since 1963



DM9900F Series

Direct Mount Segmented V Control Valve

Features and Benefits:

- Body Material: WCB, 316, 316L, Alloys
- Trim Material: 316, Alloys
- Port: Full port & reduced trim
- End Connections: ANSI 150-900, wafer
- Options: 60° segmented ball
- Temperature: -20°F to +1000°F
- Seat Materials: TFM, TFM 4215, Metal Seat

Size:

- Ranges from 1-1/2" to 30"

Applications:

- Fibers
- Chemical fluids with suspended solids
- Dirty, clean, viscous and corrosive fluids
- Gas
- Steam
- Pulp and paper
- High temperature

Options:

- Spring loaded, removable seat, replaces globe valves & general ball valves
- High Cv flow rate
- MTRs available

800.467.7122

PipeValves

www.PipeValves.com

Warning: Do not use this literature in place of reading, understanding, and following the manufacturer's spec sheets and operator's manual instructions which are available on their website.

PipeValves™

Since 1963



FSLD3500-Series

2-Piece Fire Safe Ball Valves

Features and Benefits:

- Special 360° All Around Welding Design to Prevent External Leakage
- Body and End Caps High Quality Investment Cast
- Available in Stainless Steel and Carbon Steel
- Blow-Out Proof Stem Design
- Fire-Safe Design
- Includes Fire-Safe Lip, Graphite Seals, and Anti-Static Devices
- Temperature Range from -20°F to 500°F
- End Type: NPT / BSPT
- Pressure Rating:
 - 2000 psi (WOG) (1/4" to 2")
 - 1000 psi (WOG) (2-1/2" to 4")
 - 200 psi with Saturated Steam

Applications:

- Hydraulic
- Chemical
- Steam
- Oil/Gas
- Oxygen
- Vacuum

Options:

- TFM1600 Seals
- CF8M / WCB Body Material
- Automation Applicable
- CRN # Available

Size:

- Ranges from 1/4" to 4"

800.467.7122

PipeValves

www.PipeValves.com

Warning: Do not use this literature in place of reading, understanding, and following the manufacturer's spec sheets and operator's manual instructions which are available on their website.

PipeValves™

Since 1963



2-Piece Ball Valve DM3800-Series

Features and Benefits:

- Body and End Caps Quality Investment Casting
- ISO 5211 Direct Mounting Pad
- Adjustable Stem Packing
- Available in Stainless Steel (CF8 or CF8M)
- Blow-Out Proof Stem Design
- 100% Air Tested Under Water at 80-100 psi
- Working Pressure of 600 (CF8) / 800 (CF8M 2-1/2"+) / 1000 (CF8M 1/4" to 2") psi
- Temperature Range from -20°F to 300°F
- Locking Function
- End Type: NPT / BSPT

Service:

- Hot and cold water
- Compressed air and natural and bottle gas

Options:

- Spring Return (Dead Man) Handle
- Extended Stem for Thermal Insulation
- Oval Handle
- Automation Application
- PTFE / PFA Coating (40-70 um)

Size:

- Ranges from 1/4" to 3"

800.467.7122

PipeValves

www.PipeValves.com

Warning: Do not use this literature in place of reading, understanding, and following the manufacturer's spec sheets and operator's manual instructions which are available on their website.

PipeValves™

Since 1963



3-Piece Ball Valves DM4500-Series

Features and Benefits:

- Body and End Caps Quality Investment Casting
- With ISO 5211 Mounting Pad
- With Locking Function
- Adjustable Stem Packing
- Available in Stainless Steel and Carbon Steel
- Blow-Out Proof Stem Design
- 100% Air Tested Under Water at 100 psi
- Working Pressure of Class 150 and 800 / 1000 psi
- End Type: Flanged Class 150 and 300 / Socket Weld / Butt Weld / NPT / BSPT

Options:

- Spring Return (Dead Man) Handle
- Oval Handle
- Automation Applicable
- Handle with Limit Switch Box
- Extended Stem for Isolation
- V-Ball for Control Valve in 15°, 30°, 45°, 60°, 90°, Slot, or Custom
- PTFE Cavity Filler
- Hastalloy C / Super Duplex / Alloy 20 / Monel

Size:

- Ranges from 1/4" to 4"

800.467.7122

PipeValves™

www.PipeValves.com

Warning: Do not use this literature in place of reading, understanding, and following the manufacturer's spec sheets and operator's manual instructions which are available on their website.

PipeValves™

Since 1963



3-Piece Ball Valve DM4600

Features and Benefits:

- Body and End Caps Quality Investment Casting
- With ISO 5211 Direct Mounting Pad
- Adjustable Stem Packing
- Standard in Stainless Steel or Carbon Steel
- Blow-Out Proof Stem Design
- 100% Air Tested Under Water at 100 psi
- Working Pressure of 2160 psi
- Temperature Range from -320°F to 800°F
- With Locking Function
- End Type: Butt Weld / Flanged / Socket Weld / NPT

Size:

- Ranges from 1/4" to 3"

Applications:

- Steam
- Fluid
- Vacuum
- Oxygen
- Handling Petroleum Products
- Flammable or Hazardous Services
- Corrosive Services and Normal Services

Options:

- Fire-Safe: API 607 – 6th Edition Certified
- Spring Return (Dead Man) Handle
- Extended Stem for Isolation
- V-Ball for Control Valve in 15°, 30°, 45°, 60°, 90°, Slot, or Custom
- Automation Applicable
- Fugitive Emissions Bonnet
- PTFE / PFA Coating (40-70 um)
- Alloy 20 / Monel / Hastalloy C / Titanium / Duplex
- Cryogenic Valve

800.467.7122

PipeValves

www.PipeValves.com

Warning: Do not use this literature in place of reading, understanding, and following the manufacturer's spec sheets and operator's manual instructions which are available on their website.

PipeValves™

Since 1963



DM4800-Series

High Performance 3-Piece Ball Valve

Features and Benefits:

- Sizes: 1/4" to 3"
- Body and End Caps Quality Investment Casting
- With ISO 5211 Mounting Pad
- Adjustable Stem Packing
- Available in Stainless Steel or Carbon Steel
- Blow-Out Proof Stem Design
- 100% Air Tested Under Water at 80-100 psi
- Temperature Range from -320°F to 800°F
- With Locking Function
- End Type: Butt Weld / Socket Weld / Flanged / NPT

Applications:

- Hydraulic
- Steam
- Fluids
- Gas Blow Down Service
- Production Wing Valves on Low Pressure Gas Wells
- Frac Water Tanks
- Tank Batteries for Storage
- Production Gathering Systems for Water, Oil, and Gas

Options:

- Fire-Safe: API 607 – 6th Edition Certified
- Spring Return (Dead Man) Handle
- Oval Handle
- Automation Applicable
- V-Ball for Control Valve in 15°, 30°, 45°, 60°, 90°, Slot, or Custom
- Cryogenic Bonnet
- PTFE / PFA Coating (40-70 um)
- Available in Hastalloy C / Super Duplex / Alloy 20

800.467.7122

PipeValves

www.PipeValves.com

Warning: Do not use this literature in place of reading, understanding, and following the manufacturer's spec sheets and operator's manual instructions which are available on their website.

PipeValves™

Since 1963



Sanitary 3-Piece Ball Valve DM7300-Series

Features and Benefits:

- Body and End Caps Quality Investment Casting
- With ISO 5211 Mounting Pad
- Adjustable Stem Packing
- Available in Stainless Steel
- Blow-Out Proof Stem Design
- 100% Air Tested Under Water at 80-100 psi
- Working Pressure of 600 (2-1/2" to 4") / 800 (1-1/2" to 2") / 1000 (1/2" to 1") psi
- FDA Viton O-Ring
- With Locking Function
- 6 Bolts and Nuts for 4" Valve
- End Type: T-Clamp / Tube Weld / Extended Tube Weld

Size:

- Ranges from 1/2" to 4"

Applications:

- Food
- Biological
- Pharmaceuticals
- Similar Industries

Options:

- Spring Return (Dead Man) Handle
- Cavity Filled
- Polish to Customer's Specification
- Limit Switch Box with Handle
- Automation Applicable
- Hastalloy C
- V-Ball for Control Valve in 15°, 30°, 60°, 90°, Slot, and Custom
- ASME BPE (for SS316L)
- Low Ferrite (3%) / Low Sulphur (0.005% – 0.017%)

800.467.7122

PipeValves

www.PipeValves.com

Warning: Do not use this literature in place of reading, understanding, and following the manufacturer's spec sheets and operator's manual instructions which are available on their website.

PipeValves™

Since 1963



Double Block & Bleed Ball Valve

Features and Benefits:

- Available in Stainless Steel or Carbon Steel
- Body and End Caps Are Investment Cast
- Self-Adjusting Stem Packing
- Blow-Out Proof Stem Design
- With ISO 5211 Mounting Pads
- 100% Air Tested Under Water at 80-100 psi
- Working Pressure of 2160 psi
- Temperature Range from -320°F to 800°F
- With Locking Function
- End Type: NPT / Socket Weld / Flanged

Options:

- Fire-Safe Design (with SS Housing)
- Spring Return (Dead Man) Handle – DM4500 Only
- V-Ball for Control Valve (Ball Valve Type)
- Automation Application
- Cryogenic Bonnet
- Fugitive Emission Bonnet
- PTFE / PFA Coating (40-70 um)

800.467.7122

PipeValves™

www.PipeValves.com

Warning: Do not use this literature in place of reading, understanding, and following the manufacturer's spec sheets and operator's manual instructions which are available on their website.

PipeValves™

Since 1963



DM2500-Series

2-Piece Direct Mount Flanged Ball Valves

Features and Benefits:

- Body and End Caps Quality Investment Casting (1/2" to 4")
- Body and End Caps Sand Casting (5" to 12")
- Available in Stainless Steel or Carbon Steel
- ISO 5211 Mounting Pad (DM2500)
- Adjustable Stem Packing
- Blow-Out Proof Stem Design
- 100% Air Tested Under Water at 80-100 psi
- Working Pressure of Class 150 / 300
- Temperature Range -320°F to 800°F

Size:

- Ranges from 1/2" to 12"

Options:

- Fire Safe: API 607 – 5th Edition Certified
- Spring (Dead Man) Handle
- Gear Operator / Pneumatic and Electric Actuator (5" to 12")
- Direct Mount Bracket (5" to 12")
- PTFE Cavity Filler
- PTFE / PFA Coating (40-70 um)
- Alloy 20 / Monel / Hastalloy C / Titanium / Super Duplex
- V-Ball for Control Valve in 15°, 30°, 60°, 90°, Slot, and Custom
- Cryogenic Valves
- Fugitive Emissions Bonnet
- Automation Available
- Metal Seated

Service:

- Steam
- Thermal Fluids
- Oxygen
- Dry or Wet Chlorine
- Industrial Applications
- Hydraulic Applications

800.467.7122

PipeValves™

www.PipeValves.com

Warning: Do not use this literature in place of reading, understanding, and following the manufacturer's spec sheets and operator's manual instructions which are available on their website.

PipeValves™

Since 1963



3-Way Direct Mount Ball Valve

Features and Benefits:

- Body and End Caps Quality Investment Casting (1/4" to 4") / Sand Casting (5" to 8")
- Available in Stainless Steel and Carbon Steel
- With ISO 5211 Direct Mounting Pad (1/4" to 4")
- Adjustable Stem Packing
- Blow-Out Proof Stem Design
- Floating (1/4" to 2") / Trunnion (2-1/2" +) Design
- Available in L / T / X / I – Port
- Available in 3 / 4 / 5 – Way In Block Body Type
- 100% Air Tested Under Water at 80-100 psi
- Temperature Range -20°F to +600°F
- End Type: Butt Weld / Flanged / Socket Weld / Threaded
- Locking Function

Options:

- Automation Applicable
- PTFE / PFA Coating (40-70 um)
- PTFE / TFM1600 / TFM4215
- PTFE Cavity Filler
- 180° Operation Stop Plate
- Hastalloy C / Alloy 20 / Super Duplex / Monel
- Fire-Safe Design
- Refer to DMHP3(4)L(T)2A00 Series for High Pressure

Size:

- Ranges from 1/4" to 16"

800.467.7122

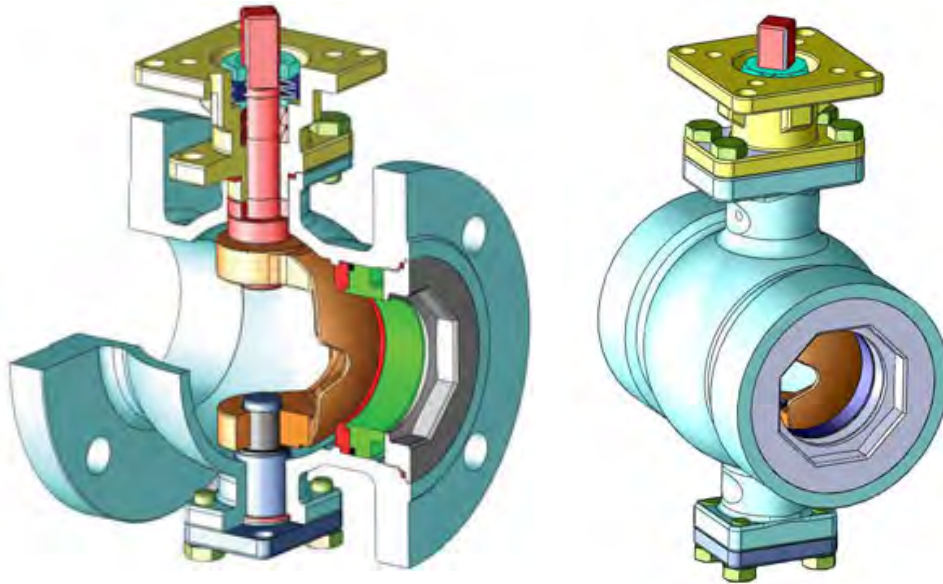
PipeValves

www.PipeValves.com

Warning: Do not use this literature in place of reading, understanding, and following the manufacturer's spec sheets and operator's manual instructions which are available on their website.

PipeValves™

Since 1963



DM9900-Series

Segmented V-Port Control Valves

Features and Benefits:

- Flanged and Flangeless Versions Available
- Live Loaded Packing
- Protected Bearings, Top and Bottom
- Easy Installation and Versatility
- Extremely Low Actuator Torque
- Reduced Trim Option
- WCB, 316SS, 317SS, and Other Alloy Materials Available
- Soft and Metal Seated
- Patents Pending

Applications & Industries:

- Fibers
- Chemical Fluids with Suspended Solids
- Dirty, Clean, Viscous and Corrosive Fluids
- Gas
- Steam
- Pulp and Paper
- High Temperature

Size:

- Ranges from 1-1/2" to 30"

800.467.7122

PipeValves

www.PipeValves.com

Warning: Do not use this literature in place of reading, understanding, and following the manufacturer's spec sheets and operator's manual instructions which are available on their website.

Valuable Services

Pipe Valves offers the quality products and the best services to improve your bottom-line performance.

- Pipe Shop: We cut, bevel, groove, and thread
- Energy audits, steam trap surveys, live steam lab demonstrations
- Daily local truck routes, emergency delivery options
- Phone, counter, email, fax and e-commerce ordering options
- Express sales counter pickup and tool rental
- Vendor Managed Inventory options customized to your needs
- Product specialists and staff engineers assist with problem solving
- Kitting Services - we can bag and tag to your specifications
- Bin management, bar code scanning and labeling solutions available
- PV University Classes, Where Seeing Is Believing: Actuation, Valves, Steam
- 24/7 emergency service available in many areas